



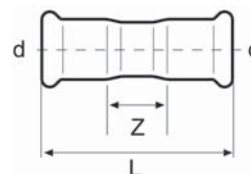
Index - Pressfittings

| | | |
|---|-----------------------|-----|
| Adaptorer / Adaptors | .fra side / from page | 121 |
| Adaptorer flange / Adaptor flanges | .fra side / from page | 128 |
| Bøjninger, MF/MF / Elbows, MF/MF | .fra side / from page | 116 |
| Bøjninger, MF/NP / Elbows, MF/MF | .fra side / from page | 117 |
| Bøjninger, NP/NP / Elbows, MF/MF | .fra side / from page | 131 |
| Dækvinkler / Angle adaptors with flange | .fra side / from page | 123 |
| Muffer / Couplings | .fra side / from page | 115 |
| O-ringe / O-rings | .fra side / from page | 134 |
| Overbøjninger / Performed pipebridges | .fra side / from page | 133 |
| Overgangsstykker / Male adaptor | .fra side / from page | 120 |
| Overgangsvinkler / Angle adaptors | .fra side / from page | 123 |
| Pakninger / Flat seals | .fra side / from page | 135 |
| Reduktionsstykker / Reducer | .fra side / from page | 119 |
| Rustfrie stålrør til brugsvandsinstallation / Stainless water tubes | .fra side / from page | 135 |
| Rørbroer / Pipebridges | .fra side / from page | 133 |
| Slutmuffer / Endcaps | .fra side / from page | 128 |
| Skydemuffer / Slip couplings | .fra side / from page | 115 |
| T-stykker / T-pcs. | .fra side / from page | 124 |
| Unioner / Unions | .fra side / from page | 129 |
| Ventil tilslutning / Valves connector | .fra side / from page | 129 |

Muffe N300
Muffe
Coupling

VA/DVGW-godkendt / VA/DVGW-approved

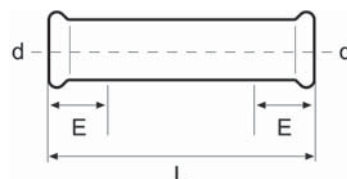
| VVS nr. | d mm | L mm | Z mm | Kg/ stk/pc | AISI 316L |
|-----------|---------|---------|---------|---------------|------------------------|
| | | | | | Varenr. Article no. |
| 034965015 | 15,0 | 52 | 10 | 0,039 | ● 019180 |
| 034965018 | 18,0 | 52 | 10 | 0,044 | ● 019181 |
| 034965022 | 22,0 | 59 | 13 | 0,062 | ● 019182 |
| 034965028 | 28,0 | 61 | 13 | 0,078 | ● 019183 |
| 034965035 | 35,0 | 72 | 18 | 0,109 | ● 019184 |
| 034965042 | 42,0 | 79 | 15 | 0,147 | ● 019185 |
| 034965054 | 54,0 | 90 | 16 | 0,205 | ● 019186 |
| 034965076 | 76,1 | 142 | 32 | 0,604 | ● 019187 |
| 034965089 | 88,9 | 163 | 37 | 0,837 | ● 019188 |
| 034965108 | 108,0 | 195 | 38 | 1,193 | ● 019189 |



Muffe N302
Skydemuffe
Slip coupling

VA/DVGW-godkendt / VA/DVGW-approved

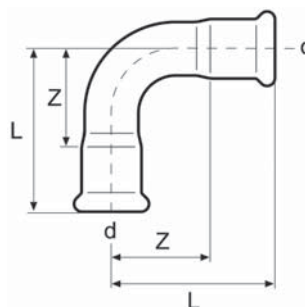
| VVS nr. | d mm | L mm | E mm | Kg/ stk/pc | AISI 316L |
|-----------|---------|---------|---------|---------------|------------------------|
| | | | | | Varenr. Article no. |
| 034966015 | 15,0 | 71 | 24 | 0,047 | ● 019190 |
| 034966018 | 18,0 | 77 | 25 | 0,063 | ● 019191 |
| 034966022 | 22,0 | 82 | 27 | 0,085 | ● 019192 |
| 034966028 | 28,0 | 90 | 28 | 0,114 | ● 019193 |
| 034966035 | 35,0 | 99 | 31 | 0,149 | ● 019194 |
| 034966042 | 42,0 | 115 | 35 | 0,216 | ● 019195 |
| 034966054 | 54,0 | 139 | 40 | 0,316 | ● 019196 |
| 034966076 | 76,1 | 230 | 60 | 0,874 | ● 019197 |
| 034966089 | 88,9 | 258 | 70 | 1,196 | ● 019198 |
| 034966108 | 108,0 | 305 | 80 | 1,775 | ● 019199 |



Bøjning N304
 Bøjning 90° - MF/MF
 Elbow 90° - MF/MF

VA/DVGW-godkendt / VA/DVGW-approved

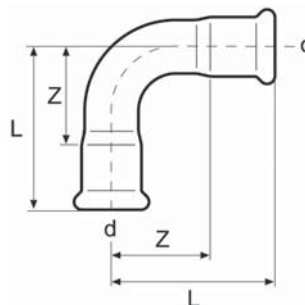
| VVS nr. | d mm | L mm | Z mm | Kg/ stk/pc | AISI 316L Varenr. Article no. |
|-----------|---------|---------|---------|---------------|-------------------------------------|
| 034951015 | 15,0 | 48 | 27 | 0,057 | ● 019200 |
| 034951018 | 18,0 | 53 | 32 | 0,077 | ● 019201 |
| 034951022 | 22,0 | 60 | 37 | 0,097 | ● 019202 |
| 034951028 | 28,0 | 71 | 47 | 0,143 | ● 019203 |
| 034951035 | 35,0 | 87 | 60 | 0,198 | ● 019204 |
| 034951042 | 42,0 | 115 | 83 | 0,314 | ● 019205 |
| 034951054 | 54,0 | 142 | 105 | 0,499 | ● 019206 |
| 034951076 | 76,1 | 150 | 95 | 0,977 | ● 019207 |
| 034951089 | 88,9 | 174 | 111 | 1,325 | ● 019208 |
| 034951108 | 108,0 | 215 | 138 | 2,091 | ● 019209 |



Bøjning N304
 Bøjning 90° - R = 1,2 - MF/MF
 Elbow 90° - R = 1,2 - MF/MF

VA/DVGW-godkendt / VA/DVGW-approved

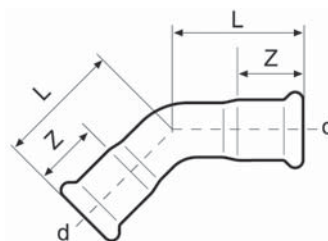
| VVS nr. | d mm | L mm | Z mm | Kg/ stk/pc | AISI 316L Varenr. Article no. |
|-----------|---------|---------|---------|---------------|-------------------------------------|
| 034950535 | 35,0 | 75 | 48 | 0,173 | ● 036542 |
| 034950542 | 42,0 | 89 | 57 | 0,261 | ● 036543 |
| 034950554 | 54,0 | 107 | 70 | 0,091 | ● 036544 |



Bøjning N306
Bøjning 45° - MF/MF
Elbow 45° - MF/MF

VA/DVGW-godkendt / VA/DVGW-approved

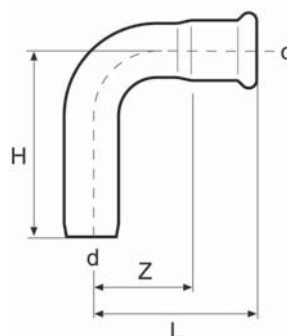
| VVS nr. | d mm | L mm | Z mm | Kg/ stk/pc | AISI 316L Varenr. Article no. |
|-----------|---------|---------|---------|---------------|-------------------------------------|
| 034953015 | 15,0 | 37 | 16 | 0,049 | ● 019210 |
| 034953018 | 18,0 | 38 | 17 | 0,059 | ● 019211 |
| 034953022 | 22,0 | 44 | 21 | 0,081 | ● 019212 |
| 034953028 | 28,0 | 51 | 27 | 0,118 | ● 019213 |
| 034953035 | 35,0 | 59 | 32 | 0,161 | ● 019214 |
| 034953042 | 42,0 | 77 | 45 | 0,254 | ● 019215 |
| 034953054 | 54,0 | 88 | 51 | 0,369 | ● 019216 |
| 034953076 | 76,1 | 98 | 43 | 0,773 | ● 019217 |
| 034953089 | 88,9 | 112 | 49 | 0,991 | ● 019218 |
| 034953108 | 108,0 | 138 | 61 | 1,600 | ● 019219 |



Bøjning N308
Bøjning 90° - MF/NP
Elbow 90° - MF/NP

VA/DVGW-godkendt / VA/DVGW-approved

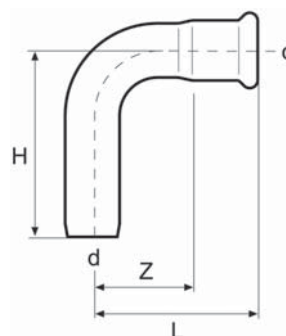
| VVS nr. | d mm | L mm | H mm | Z mm | Kg/ stk/pc | AISI 316L Varenr. Article no. |
|-----------|---------|---------|---------|---------|---------------|-------------------------------------|
| 034950015 | 15,0 | 48 | 56 | 27,0 | 0,058 | ● 019220 |
| 034950018 | 18,0 | 53 | 62 | 32,0 | 0,070 | ● 019221 |
| 034950022 | 22,0 | 60 | 68 | 37,0 | 0,098 | ● 019222 |
| 034950028 | 28,0 | 71 | 80 | 47,0 | 0,147 | ● 019223 |
| 034950035 | 35,0 | 87 | 93 | 60,0 | 0,200 | ● 019224 |
| 034950042 | 42,0 | 115 | 125 | 83,0 | 0,331 | ● 019225 |
| 034950054 | 54,0 | 142 | 149 | 105,0 | 0,505 | ● 019226 |
| 034950076 | 76,1 | 150 | 165 | 95,0 | 0,982 | ● 019227 |
| 034950089 | 88,9 | 174 | 190 | 111,0 | 1,317 | ● 019228 |
| 034950108 | 108,0 | 215 | 283 | 138,0 | 2,068 | ● 019229 |



Bøjning N308
Bøjning 90° - R= 1,2 -MF/NP
Elbow 90° - R= 1,2 - MF/NP

VA/DVGW-godkendt / VA/DVGW-approved

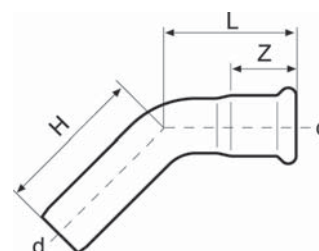
| VVS nr. | d mm | L mm | H mm | Z mm | Kg/ stk/pc | AISI 316L Varenr. Article no. |
|-----------|---------|---------|---------|---------|---------------|-------------------------------------|
| 034951535 | 35,0 | 75 | 83 | 48,0 | 0,179 | ● 036545 |
| 034951542 | 42,0 | 89 | 97 | 57,0 | 0,026 | ● 036546 |
| 034951554 | 54,0 | 107 | 116 | 70,0 | 0,004 | ● 036547 |



Bøjning N310
Bøjning 45° - MF/NP
Elbow 45° - MF/NP

VA/DVGW-godkendt / VA/DVGW-approved

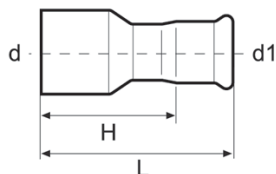
| VVS nr. | d mm | L mm | H mm | Z mm | Kg/ stk/pc | AISI 316L Varenr. Article no. |
|-----------|---------|---------|---------|---------|---------------|-------------------------------------|
| 034952015 | 15,0 | 37 | 48 | 16,0 | 0,053 | ● 019230 |
| 034952018 | 18,0 | 38 | 45 | 17,0 | 0,059 | ● 019231 |
| 034952022 | 22,0 | 44 | 53 | 21,0 | 0,085 | ● 019232 |
| 034952028 | 28,0 | 51 | 60 | 27,0 | 0,117 | ● 019233 |
| 034952035 | 35,0 | 59 | 66 | 32,0 | 0,160 | ● 019234 |
| 034952042 | 42,0 | 77 | 80 | 45,0 | 0,237 | ● 019235 |
| 034952054 | 54,0 | 88 | 97 | 51,0 | 0,366 | ● 019236 |
| 034952076 | 76,1 | 98 | 117 | 43,0 | 0,767 | ● 019237 |
| 034952089 | 88,9 | 112 | 131 | 49,0 | 0,998 | ● 019238 |
| 034952108 | 108,0 | 138 | 154 | 61,0 | 1,510 | ● 019239 |



Reduktionsstykke N312
 Reduktionsstykke -MF/NP
 Reducer -MF/NP

VA/DVGW-godkendt / VA/DVGW-approved

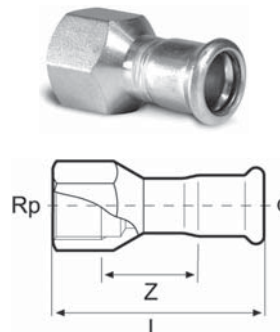
| VVS nr. | d - d ₁ mm | L mm | H mm | Kg/ stk/pc | AISI 316L | Varenr. Article no. |
|-----------|--------------------------|---------|---------|---------------|-----------|------------------------|
| 034974222 | 18-15 | 55 | 34 | 0,040 | ● | 019240 |
| 034974263 | 22-15 | 60 | 39 | 0,045 | ● | 019241 |
| 034974272 | 22-18 | 57 | 36 | 0,047 | ● | 019242 |
| 034974324 | 28-15 | 72 | 51 | 0,056 | ● | 019243 |
| 034974329 | 28-18 | 77 | 56 | 0,061 | ● | 019244 |
| 034974339 | 28-22 | 67 | 44 | 0,065 | ● | 019245 |
| 034974365 | 35-15 | 82 | 61 | 0,089 | ● | 019246 |
| 034974366 | 35-18 | 87 | 66 | 0,096 | ● | 019247 |
| 034974371 | 35-22 | 83 | 60 | 0,098 | ● | 019248 |
| 034974382 | 35-28 | 73 | 49 | 0,112 | ● | 019249 |
| 034974410 | 42-15 | 91 | 70 | 0,118 | ● | 019250 |
| 034974411 | 42-18 | 96 | 75 | 0,126 | ● | 019251 |
| 034974414 | 42-22 | 87 | 64 | 0,125 | ● | 019252 |
| 034974417 | 42-28 | 98 | 74 | 0,140 | ● | 019253 |
| 034974420 | 42-35 | 79 | 52 | 0,120 | ● | 019254 |
| 034974433 | 54-15 | 110 | 89 | 0,197 | ● | 019255 |
| 034974434 | 54-18 | 113 | 92 | 0,200 | ● | 019256 |
| 034974435 | 54-22 | 107 | 84 | 0,191 | ● | 019257 |
| 034974437 | 54-28 | 99 | 75 | 0,193 | ● | 019258 |
| 034974440 | 54-35 | 128 | 101 | 0,237 | ● | 019259 |
| 034974445 | 54-42 | 97 | 65 | 0,191 | ● | 019260 |
| 034974616 | 76,1-54 | 140 | 103 | 0,451 | ● | 031115 |
| 034974644 | 88,9-54 | 156 | 119 | 0,586 | ● | 031196 |
| 034974648 | 88,9-76,1 | 156 | 101 | 0,653 | ● | 031197 |
| 034974667 | 108-54 | 204 | 167 | 0,880 | ● | 031198 |
| 034974676 | 108-76,1 | 196 | 141 | 0,978 | ● | 031199 |
| 034974679 | 108-88,9 | 190 | 127 | 0,992 | ● | 031200 |



Overgangsstykke N314
Overgangsstykke - MF/indvendig gevind
Female adaptor - MF/inside thread

VA/DVGW-godkendt / VA/DVGW-approved

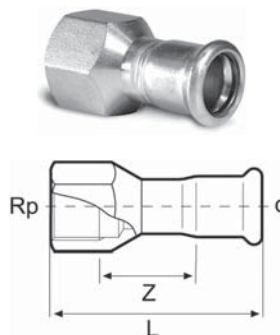
| VVS nr. | d -Rp mm | L mm | Z mm | Kg/ stk/pc | AISI 316L | Varenr. Article no. |
|-----------|-------------|---------|---------|---------------|-----------|------------------------|
| 034968015 | 15-Rp½ | 53 | 20 | 0,052 | ● | 019261 |
| 034968176 | 15-Rp¾ | 67 | 33 | 0,081 | ● | 019262 |
| 034968222 | 18-Rp½ | 51 | 18 | 0,052 | ● | 019263 |
| 034968232 | 18-Rp¾ | 57 | 23 | 0,077 | ● | 019264 |
| 034968263 | 22-Rp½ | 52 | 17 | 0,077 | ● | 019265 |
| 034968022 | 22-Rp¾ | 56 | 20 | 0,075 | ● | 019266 |
| 034968291 | 22-Rp1 | 70 | 31 | 0,105 | ● | 019267 |
| 034968339 | 28-Rp¾ | 73 | 36 | 0,105 | ● | 019268 |
| 034968028 | 28-Rp1 | 62 | 22 | 0,103 | ● | 019269 |
| 034968354 | 28-Rp1¼ | 80 | 39 | 0,171 | ● | 019270 |
| 034968382 | 35-Rp1 | 81 | 38 | 0,136 | ● | 019271 |
| 034968035 | 35-Rp1¼ | 72 | 28 | 0,170 | ● | 019272 |
| 034968390 | 35-Rp1½ | 83 | 39 | 0,259 | ● | 019273 |
| 034968420 | 42-Rp1¼ | 94 | 45 | 0,221 | ● | 019274 |
| 034968042 | 42-Rp1½ | 74 | 25 | 0,252 | ● | 019275 |
| 034968433 | 54-Rp1½ | 106 | 52 | 0,328 | ● | 019276 |
| | 54-Rp2 | 84 | 25 | 0,342 | ● | 019277 |



Overgangsstykke N314
Overgangsstykke - MF/indvendig gevind - ISO 228-1
Female adaptor - MF/inside thread - ISO 228-1

VA/DVGW-godkendt / VA/DVGW-approved

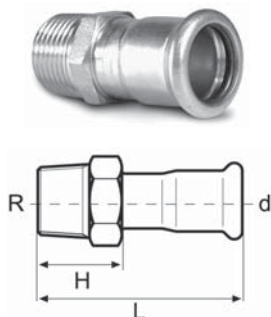
| VVS nr. | d -Rp mm | L mm | Z mm | Kg/ stk/pc | AISI 316L | Varenr. Article no. |
|-----------|-------------|---------|---------|---------------|-----------|------------------------|
| 035012015 | 15-Rp½ | 53 | 20 | 0,052 | ▶ | 036598 |
| 035012222 | 18-Rp¾ | 51 | 18 | 0,052 | ▶ | 036599 |
| 035012263 | 22-Rp½ | 52 | 17 | 0,077 | ▶ | 036600 |



Overgangsstykke N316
 Overgangsstykke - MF/udvendig gevind
 Male adaptor - MF/outside thread

VA/DVGW-godkendt / VA/DVGW-approved

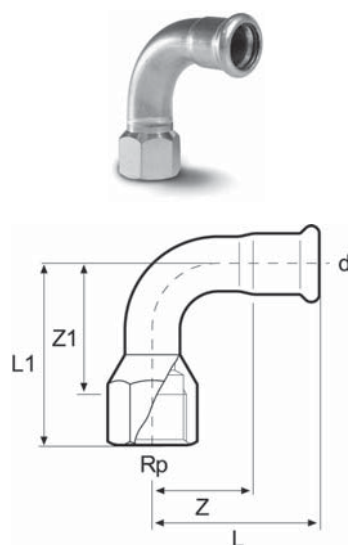
| VVS nr. | d-R mm | L mm | H mm | Kg/ stk/pc | AISI 316L | Varenr. Article no. |
|-----------|-----------|---------|---------|---------------|-----------|------------------------|
| 034967015 | 15-R½ | 52 | 31 | 0,052 | ● | 019278 |
| 034967176 | 15-R¾ | 64 | 43 | 0,066 | ● | 019279 |
| 034967222 | 18-R½ | 52 | 31 | 0,053 | ● | 019280 |
| 034967232 | 18-R¾ | 54 | 33 | 0,067 | ● | 019281 |
| 034967263 | 22-R½ | 67 | 45 | 0,073 | ● | 019283 |
| 034967022 | 22-R¾ | 58 | 35 | 0,074 | ● | 019282 |
| 034967291 | 22-R1 | 72 | 49 | 0,116 | ● | 019284 |
| 034967339 | 28-R¾ | 73 | 49 | 0,100 | ● | 019286 |
| 034967028 | 28-R1 | 62 | 38 | 0,115 | ● | 019285 |
| 034967354 | 28-R1¼ | 79 | 55 | 0,166 | ● | 019287 |
| 034967382 | 35-R1 | 82 | 55 | 0,148 | ● | 019288 |
| 034967035 | 35-R1¼ | 70 | 43 | 0,165 | ● | 019289 |
| 034967390 | 35-R1½ | 84 | 57 | 0,198 | ● | 019290 |
| 034967420 | 42-R1¼ | 93 | 61 | 0,216 | ● | 019291 |
| 034967042 | 42-R1½ | 75 | 43 | 0,204 | ● | 019292 |
| 034967433 | 54-R1½ | 105 | 68 | 0,271 | ● | 019293 |
| 034967054 | 54-R2 | 87 | 50 | 0,368 | ● | 019294 |
| 034967076 | 76,1-R 2½ | 125 | 70 | 0,820 | ● | 031967 |
| 034967089 | 88,9-R 3 | 138 | 75 | 1,158 | ● | 031968 |



Adaptor N318
 Adaptor 90° - MF/indvendig gevind
 Female threaded adaptor 90° - MF/inside thread

VA/DVGW-godkendt / VA/DVGW-approved

| VVS nr. | d-Rp mm | L mm | L ₁ mm | Z mm | Kg/ stk/pc | AISI 316L | Varenr. Article no. |
|-----------|------------|---------|----------------------|---------|---------------|-----------|------------------------|
| 034957015 | 15-Rp½ | 48 | 58 | 27 | 0,076 | ● | 019295 |
| 034957222 | 18-Rp½ | 53 | 59 | 32 | 0,084 | ● | 019296 |
| 034957022 | 22-Rp¾ | 60 | 68 | 37 | 0,123 | ● | 019297 |
| 034957028 | 28-Rp1 | 71 | 81 | 47 | 0,172 | ● | 019298 |
| 034957035 | 35-Rp1¼ | 87 | 95 | 60 | 0,267 | ● | 019299 |



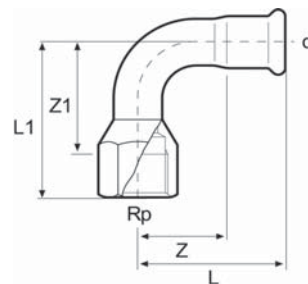
Adaptor N318

Adaptor 90° - MF/indvendig gevind - ISO 228-1

Female threaded adaptor 90° - MF/inside thread - ISO 228-1

VA/DVGW-godkendt / VA/DVGW-approved

| VVS nr. | d-Rp mm | L mm | L ₁ mm | Z mm | Kg/ stk/pc | AISI 316L | Varenr. Article no. |
|-----------|------------|---------|----------------------|---------|---------------|-----------|------------------------|
| 035002015 | 15-Rp½ | 48 | 58 | 27 | 0,076 | ▶ 036601 | ▶ 036601 |
| 035002222 | 18-Rp½ | 53 | 59 | 32 | 0,084 | ▶ 036602 | ▶ 036602 |



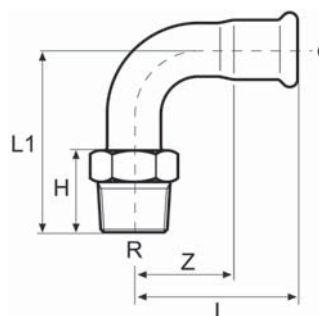
Adaptor N320

Adaptor 90° - MF/udvendig gevind

Male threaded adaptor 90° - MF/outside thread

VA/DVGW-godkendt / VA/DVGW-approved

| VVS nr. | d-R mm | L mm | H mm | Z mm | Kg/ stk/pc | AISI 316L | Varenr. Article no. |
|-----------|-----------|---------|---------|---------|---------------|-----------|------------------------|
| 034955015 | 15-R½ | 48 | 58 | 27 | 0,075 | ● 019300 | ● 019300 |
| 034955222 | 18-R½ | 53 | 61 | 32 | 0,081 | ● 019301 | ● 019301 |
| 034955022 | 22-R¾ | 60 | 69 | 37 | 0,119 | ● 019302 | ● 019302 |
| 034955028 | 28-R1 | 71 | 81 | 47 | 0,184 | ● 019303 | ● 019303 |
| 034955035 | 35-R1¼ | 87 | 94 | 60 | 0,262 | ● 019304 | ● 019304 |
| 034955042 | 42-R1½ | 115 | 116 | 83 | 0,376 | ● 019305 | ● 019305 |
| 034955054 | 54-R2 | 142 | 143 | 105 | 0,667 | ● 019306 | ● 019306 |



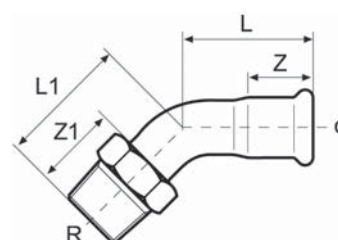
Adaptor N322

Adaptor 45° - MF/udvendig gevind

Male threaded adaptor 45° - MF/outside thread

VA/DVGW-godkendt / VA/DVGW-approved

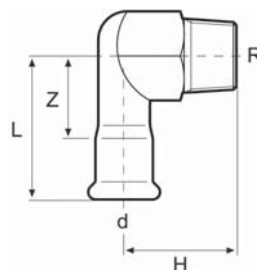
| VVS nr. | d-R mm | L mm | H mm | Z mm | Kg/ stk/pc | AISI 316L | Varenr. Article no. |
|-----------|-----------|---------|---------|---------|---------------|-----------|------------------------|
| 034956015 | 15-R ½ | 37 | 38 | 16 | 0,064 | ● 019307 | ● 019307 |
| 034956222 | 18-R ½ | 38 | 46 | 17 | 0,073 | ● 019308 | ● 019308 |
| 034956022 | 22-R ¾ | 44 | 51 | 21 | 0,102 | ● 019309 | ● 019309 |



Overgangsvinkel N324
 Overgangsvinkel 90° - MF/udvendig gevind
 Male angle adaptor 90° - MF/outside thread

VA/DVGW-godkendt / VA/DVGW-approved

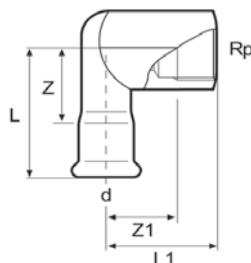
| VVS nr. | d-R mm | L mm | H mm | Z mm | Kg/ stk/pc | AISI 316L | Varenr. Article no. |
|-----------|-----------|---------|---------|---------|---------------|-----------|------------------------|
| 034981015 | 15-R½ | 53 | 36 | 32 | 0,091 | ● | 019355 |
| 034981176 | 15-R¾ | 62 | 38 | 41 | 0,137 | ● | 019356 |
| 034981222 | 18-R½ | 51 | 36 | 30 | 0,098 | ● | 019357 |
| 034981232 | 18-R¾ | 67 | 37 | 46 | 0,143 | ● | 019358 |
| 034981022 | 22-R¾ | 58 | 40 | 35 | 0,145 | ● | 019359 |
| 034981028 | 28-R1 | 63 | 44 | 39 | 0,245 | ● | 019360 |
| 034981035 | 35-R1¼ | 71 | 48 | 44 | 0,338 | ● | 019361 |
| 034981042 | 42-R1½ | 81 | 53 | 49 | 0,425 | ● | 019362 |
| 034981054 | 54-R2 | 92 | 59 | 55 | 0,716 | ● | 019363 |



Overgangsvinkel N326
 Overgangsvinkel 90° - MF/indvendig gevind
 Female angle adaptor 90° - MF/inside thread

VA/DVGW-godkendt / VA/DVGW-approved

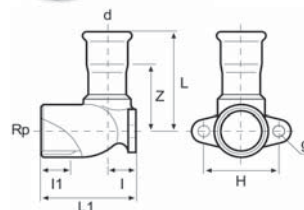
| VVS nr. | d-Rp mm | L mm | L ₁ mm | Z mm | Z ₁ mm | Kg/ stk/pc | AISI 316L | Varenr. Article no. |
|-----------|------------|---------|----------------------|---------|----------------------|---------------|-----------|------------------------|
| 034982015 | 15-Rp½ | 53 | 36 | 32 | 24 | 0,121 | ● | 019364 |
| 034982222 | 18-Rp½ | 52 | 39 | 31 | 27 | 0,118 | ● | 019365 |
| 034982022 | 22-Rp¾ | 57 | 46 | 34 | 33 | 0,180 | ● | 019366 |
| 034982028 | 28-Rp1 | 71 | 54 | 47 | 38 | 0,329 | ● | 019367 |
| 034982035 | 35-Rp1¼ | 72 | 62 | 45 | 45 | 0,455 | ● | 019368 |



Dækvinkel N328
 Dækvinkel 90° - MF/indvendig gevind
 Female angle adaptor with flange 90° - MF/inside thread

VA/DVGW-godkendt / VA/DVGW-approved

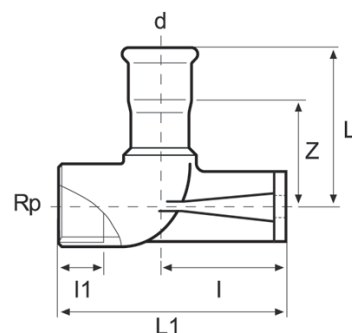
| VVS nr. | d-Rp mm | L mm | L ₁ mm | Z mm | l mm | h mm | H mm | g mm | Kg/ stk/pc | AISI 316L | Varenr. Article no. |
|-----------|------------|---------|----------------------|---------|---------|---------|---------|---------|---------------|-----------|------------------------|
| 034959015 | 15-G½ | 46 | 43 | 25 | 12 | 12 | 34 | 5 | 0,104 | ● | 019369 |
| 034959222 | 18-G½ | 47 | 44 | 26 | 13 | 12 | 34 | 6 | 0,100 | ● | 019370 |
| 034959022 | 22-G¾ | 52 | 51 | 29 | 16 | 13 | 40 | 6 | 0,147 | ● | 019370 |



Dækvinkel 90° - MF/indvendig gevind, lang vægplade
Female angle adaptor with flange 90° - MF/inside thread

VA/DVGW-godkendt / VA/DVGW-approved

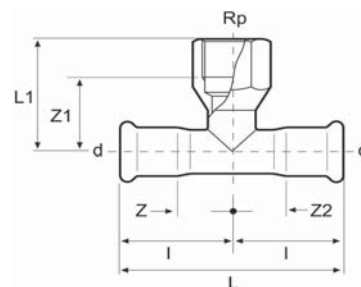
| VVS nr. | d-Rp mm | L mm | l mm | L ₁ mm | Z mm | Z ₁ mm | Kg/ stk/pc | AISI 316L | Varenr. Article no. |
|---------|------------|---------|---------|----------------------|---------|----------------------|---------------|-----------|------------------------|
| 15-G½ | 46 | 36 | 65 | 25 | 12 | 0,148 | ▶ 824000 | | |
| 18-G½ | 47 | 36 | 65 | 26 | 12 | 0,143 | ▶ 824000 | | |
| 22-G¾ | 52 | 32 | 65 | 29 | 13 | 0,176 | ▶ 824000 | | |



T-stykke N326
T-stykke -MF/indvendig gevind
Female adaptor T-pcs - MF/inside thread - ISO 228-1

VA/DVGW-godkendt / VA/DVGW-approved

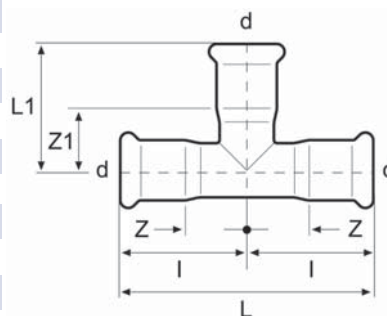
| VVS nr. | d-Rp mm | L mm | L ₁ mm | Z mm | Z ₁ mm | Kg/ stk/pc | AISI 316L | Varenr. Article no. |
|-----------|------------|---------|----------------------|---------|----------------------|---------------|-----------|------------------------|
| 035032015 | 15-Rp½ | 53 | 36 | 32 | 24 | 0,121 | ▶ 036610 | |
| 035032222 | 18-Rp½ | 52 | 39 | 31 | 27 | 0,118 | ▶ 036611 | |



T-stykke N332
T-stykke
Equal tee

VA/DVGW-godkendt / VA/DVGW-approved

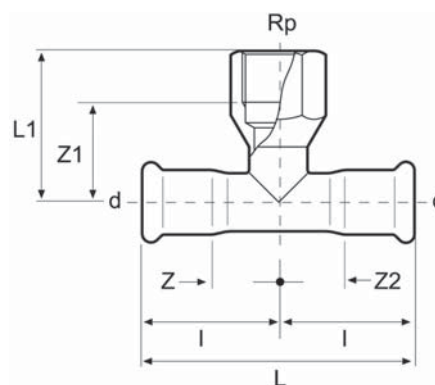
| VVS nr. | d mm | L mm | L ₁ mm | Z mm | Z ₁ mm | I mm | Kg/ AISI 316L stk/pc | Varenr. Article no. |
|-----------|---------|---------|----------------------|---------|----------------------|---------|-------------------------|------------------------|
| 034970015 | 15,0 | 74 | 35 | 16 | 14 | 37 | 0,067 | ● 019310 |
| 034970018 | 18,0 | 80 | 35 | 19 | 14 | 40 | 0,084 | ● 019311 |
| 034970022 | 22,0 | 82 | 40 | 18 | 17 | 41 | 0,112 | ● 019312 |
| 034970028 | 28,0 | 92 | 45 | 22 | 21 | 46 | 0,149 | ● 019313 |
| 034970035 | 35,0 | 102 | 55 | 24 | 28 | 51 | 0,189 | ● 019314 |
| 034970042 | 42,0 | 118 | 61 | 27 | 29 | 59 | 0,275 | ● 019315 |
| 034970054 | 54,0 | 142 | 72 | 34 | 35 | 71 | 0,382 | ● 019316 |
| 034970076 | 76,1 | 232 | 115 | 61 | 60 | 116 | 1,192 | ● 031114 |
| 034970089 | 88,9 | 262 | 127 | 68 | 64 | 131 | 1,617 | ● 031201 |
| 034970108 | 108,0 | 312 | 155 | 79 | 78 | 156 | 2,450 | ● 031202 |



T-stykke N 334
T-stykke -MF/indvendig gevind
T-pcs., threaded branch

VA/DVGW-godkendt / VA/DVGW-approved

| VVS nr. | d-Rp mm | L mm | L ₁ mm | Z mm | Z ₁ mm | I mm | Kg/ AISI 316L stk/pc | Varenr. Article no. |
|-----------|---------------|---------|----------------------|---------|----------------------|---------|-------------------------|------------------------|
| 034972015 | 15-Rp½-15 | 74 | 37 | 16 | 25 | 37 | 0,083 | ● 19338 |
| 034972222 | 18-Rp½-18 | 80 | 39 | 19 | 27 | 40 | 0,095 | ● 19339 |
| 034972232 | 18-Rp¾-18 | 80 | 43 | 19 | 30 | 40 | 0,118 | ● 19340 |
| 034972263 | 22-Rp½-22 | 82 | 41 | 18 | 29 | 41 | 0,117 | ● 19341 |
| 034972022 | 22-Rp¾-22 | 82 | 41 | 18 | 28 | 41 | 0,131 | ● 19342 |
| 034972324 | 28-Rp½-28 | 92 | 44 | 22 | 32 | 46 | 0,144 | ● 19343 |
| 034972339 | 28-Rp¾-28 | 92 | 45 | 22 | 32 | 46 | 0,159 | ● 19344 |
| 034972028 | 28-Rp1-28 | 92 | 48 | 22 | 32 | 46 | 0,175 | ● 19345 |
| 034972365 | 35-Rp½-35 | 102 | 48 | 24 | 36 | 51 | 0,178 | ● 19346 |
| 034972371 | 35-Rp¾-35 | 102 | 48 | 24 | 35 | 51 | 0,189 | ● 19347 |
| 034972035 | 35-Rp1¼-35 | 102 | 57 | 24 | 40 | 51 | 0,255 | ● 19348 |
| 034972410 | 42-Rp½-42 | 118 | 46 | 27 | 34 | 59 | 0,240 | ● 19349 |
| 034972414 | 42-Rp¾-42 | 118 | 52 | 27 | 39 | 59 | 0,254 | ● 19350 |
| 034972042 | 42-Rp1½-42 | 118 | 59 | 27 | 42 | 59 | 0,384 | ● 19351 |
| 034972433 | 54-Rp½-54 | 142 | 55 | 34 | 43 | 71 | 0,362 | ● 19352 |
| 034972435 | 54-Rp¾-54 | 142 | 58 | 34 | 45 | 71 | 0,364 | ● 19353 |
| 034972054 | 54-Rp2-54 | 142 | 69 | 34 | 47 | 71 | 0,523 | ● 19354 |
| 034972608 | 76,1-Rp¾-76,1 | 232 | 68 | 61 | 55 | 116 | 1,009 | ● 31221 |
| 034972616 | 76,1-Rp2-76,1 | 232 | 81 | 61 | 59 | 116 | 1,194 | ● 31222 |
| 034972642 | 88,9-Rp¾-88,9 | 262 | 87 | 68 | 74 | 131 | 1,210 | ● 31223 |
| 034972644 | 88,9-Rp2-88,9 | 262 | 88 | 68 | 66 | 131 | 1,450 | ● 31224 |
| 034972663 | 108-Rp¾-108 | 312 | 86 | 79 | 73 | 156 | 1,956 | ● 31225 |
| 034972667 | 108-Rp2-108 | 312 | 98 | 79 | 76 | 156 | 2,118 | ● 31226 |



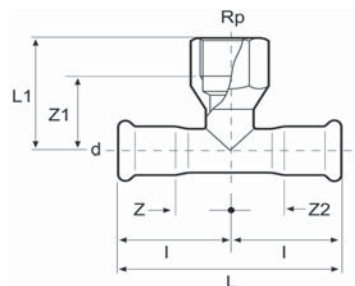
T-stykke N 334

T-stykke -MF/indvendig gevind - ISO 228-1

Female adaptor T-pcs., threaded branche - ISO 228-1

VA/DVGW-godkendt / VA/DVGW-approved

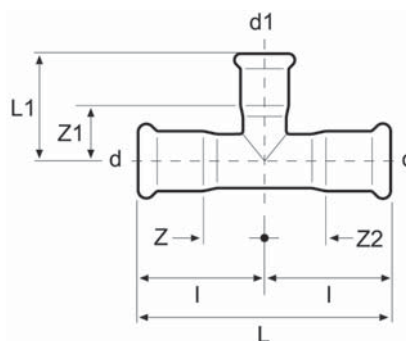
| VVS nr. | d-Rp mm | L mm | L ₁ mm | Z mm | Z ₁ mm | l mm | Kg/ AISI 316L stk/pc | Varenr. Article no. |
|-----------|------------|---------|----------------------|---------|----------------------|---------|-------------------------|------------------------|
| 035022015 | 15-Rp½-15 | 74 | 37 | 16 | 25 | 37 | 0,083 | ▶ 036603 |
| 035022222 | 18-Rp½-18 | 80 | 39 | 19 | 27 | 40 | 0,095 | ▶ 036604 |
| 035022263 | 22-Rp½-22 | 82 | 41 | 18 | 29 | 41 | 0,117 | ▶ 036605 |
| 035022324 | 28-Rp½-28 | 92 | 44 | 22 | 32 | 46 | 0,144 | ▶ 036606 |
| 035022365 | 35-Rp½-35 | 102 | 48 | 24 | 36 | 51 | 0,178 | ▶ 036607 |
| 035022410 | 42-Rp½-42 | 118 | 59 | 27 | 42 | 59 | 0,384 | ▶ 036608 |
| 035022433 | 54-Rp½-54 | 142 | 55 | 34 | 43 | 71 | 0,362 | ▶ 036609 |



T-stykke N336
T-stykke med reducedret gren
T-pcs., with reduced branche

VA/DVGW-godkendt / VA/DVGW-approved

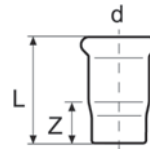
| VVS nr. | d-d ₁ -d mm | L mm | L ₁ mm | Z mm | Z ₁ mm | l mm | Kg/ stk/pc | AISI 316L | Värenr. Article no. |
|-----------|---------------------------|---------|----------------------|---------|----------------------|---------|---------------|-----------|------------------------|
| 034970222 | 18-15-18 | 80 | 36 | 19 | 15 | 40 | 0,083 | ● | 19317 |
| 034970263 | 22-15-22 | 82 | 39 | 18 | 18 | 41 | 0,098 | ● | 19318 |
| 034970272 | 22-18-22 | 82 | 38 | 18 | 17 | 41 | 0,105 | ● | 19319 |
| 034970324 | 28-15-28 | 92 | 42 | 22 | 21 | 46 | 0,130 | ● | 19320 |
| 034970329 | 28-18-28 | 92 | 42 | 22 | 21 | 46 | 0,132 | ● | 19321 |
| 034970339 | 28-22-28 | 92 | 45 | 22 | 22 | 46 | 0,140 | ● | 19322 |
| 034970365 | 35-15-35 | 102 | 45 | 24 | 24 | 51 | 0,164 | ● | 19323 |
| 034970366 | 35-18-35 | 102 | 45 | 24 | 24 | 51 | 0,164 | ● | 19324 |
| 034970371 | 35-22-35 | 102 | 46 | 24 | 23 | 51 | 0,172 | ● | 19325 |
| 034970382 | 35-28-35 | 102 | 48 | 24 | 24 | 51 | 0,175 | ● | 19326 |
| 034970410 | 42-15-42 | 118 | 48 | 27 | 27 | 59 | 0,213 | ● | 19327 |
| 034970411 | 42-18-42 | 118 | 48 | 27 | 27 | 59 | 0,236 | ● | 19328 |
| 034970414 | 42-22-42 | 118 | 51 | 27 | 28 | 59 | 0,239 | ● | 19329 |
| 034970417 | 42-28-42 | 118 | 53 | 27 | 29 | 59 | 0,240 | ● | 19330 |
| 034970420 | 42-35-42 | 118 | 60 | 27 | 33 | 59 | 0,242 | ● | 19331 |
| 034970433 | 54-15-54 | 142 | 56 | 34 | 35 | 71 | 0,326 | ● | 19332 |
| 034970435 | 54-15-54 | 142 | 55 | 34 | 34 | 71 | 0,327 | ● | 19333 |
| 034970436 | 54-22-54 | 142 | 57 | 34 | 34 | 71 | 0,325 | ● | 19334 |
| 034970437 | 54-28-54 | 142 | 60 | 34 | 36 | 71 | 0,348 | ● | 19335 |
| 034970440 | 54-35-54 | 142 | 66 | 34 | 39 | 71 | 0,344 | ● | 19336 |
| 034970445 | 54-42-54 | 142 | 64 | 34 | 32 | 71 | 0,368 | ● | 19337 |
| 034970608 | 76,1-22-76,1 | 232 | 68 | 61 | 45 | 116 | 0,942 | ● | 31203 |
| 034970610 | 76,1-28-76,1 | 232 | 71 | 61 | 47 | 116 | 0,956 | ● | 31204 |
| 034970612 | 76,1-35-76,1 | 232 | 75 | 61 | 48 | 116 | 0,968 | ● | 31205 |
| 034670614 | 76,1-42-76,1 | 232 | 79 | 61 | 47 | 116 | 0,981 | ● | 31206 |
| 034970616 | 76,1-54-76,1 | 232 | 80 | 61 | 43 | 116 | 1,067 | ● | 31207 |
| 034970642 | 88,9-22-88,9 | 262 | 76 | 68 | 53 | 131 | 1,256 | ▶ | 31208 |
| 034970638 | 88,9-28-88,9 | 262 | 76 | 68 | 52 | 131 | 1,244 | ● | 31209 |
| 034970639 | 88,9-35-88,9 | 262 | 83 | 68 | 56 | 131 | 1,267 | ● | 31210 |
| 034970643 | 88,9-42-88,9 | 262 | 85 | 68 | 53 | 131 | 1,271 | ● | 31211 |
| 034970644 | 88,9-54-88,9 | 262 | 93 | 68 | 56 | 131 | 1,297 | ● | 31212 |
| 034970648 | 88,9-76,1-88,9 | 262 | 116 | 68 | 61 | 131 | 1,479 | ● | 31213 |
| 034970663 | 108-22-108 | 312 | 85 | 79 | 62 | 156 | 1,919 | ● | 31214 |
| 034970664 | 108-28-108 | 312 | 88 | 79 | 64 | 156 | 1,939 | ▶ | 31215 |
| 034970665 | 108-35-108 | 312 | 94 | 79 | 67 | 156 | 1,955 | ● | 31216 |
| 034970666 | 108-42-108 | 312 | 96 | 79 | 64 | 156 | 1,886 | ● | 31217 |
| 034970667 | 108-54-108 | 312 | 102 | 79 | 65 | 156 | 1,967 | ● | 31218 |
| 034970676 | 108-76,1-108 | 312 | 125 | 79 | 70 | 156 | 2,147 | ● | 31219 |
| 034970679 | 108-88,9-108 | 312 | 135 | 79 | 72 | 156 | 2,255 | ▶ | 31220 |



Slutmuffe N338
Slutmuffe
Endcap

VA/DVGW-godkendt / VA/DVGW-approved

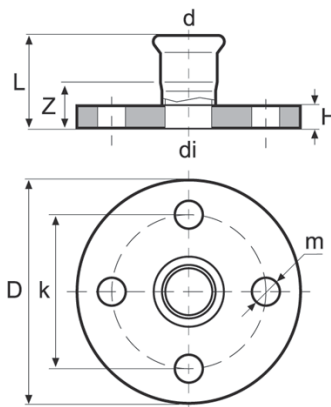
| VVS nr. | d mm | L mm | Z mm | Kg/ stk/pc | AISI 316L Varenr. Article no. |
|-----------|---------|---------|---------|---------------|-------------------------------------|
| 034988015 | 15,0 | 37 | 16 | 0,027 | ● 019414 |
| 034988018 | 18,0 | 40 | 19 | 0,033 | ● 019415 |
| 034988022 | 22,0 | 41 | 18 | 0,044 | ● 019416 |
| 034988028 | 28,0 | 46 | 22 | 0,063 | ● 019417 |
| 034988035 | 35,0 | 51 | 24 | 0,081 | ● 019418 |
| 034988042 | 42,0 | 59 | 27 | 0,119 | ● 019419 |
| 034988054 | 54,0 | 72 | 35 | 0,171 | ● 019420 |
| 034988076 | 76,1 | 95 | 40 | 0,427 | ● 031230 |
| 034988089 | 88,9 | 107 | 44 | 0,559 | ● 031231 |
| 034988108 | 108,0 | 127 | 50 | 0,821 | ▶ 031232 |



Adaptor N340
Adaptor flange
Adaptor flange

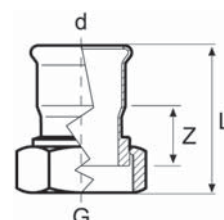
VA/DVGW-godkendt / VA/DVGW-approved

| VVS nr. | d mm | D mm | di mm | L mm | H mm | m mm | k mm | Z mm | Kg/ stk/pc | AISI 316L Varenr. Article no. |
|-----------|---------|---------|----------|---------|---------|---------|---------|---------|---------------|-------------------------------------|
| 034980015 | 15,0 | 95 | 14 | 59 | 11 | 14 | 65 | 33 | 0,582 | ▶ 019407 |
| 034980018 | 18,0 | 95 | 17 | 57 | 11 | 14 | 65 | 39 | 0,590 | ● 019408 |
| 034980022 | 22,0 | 105 | 21 | 59 | 12 | 14 | 75 | 39 | 0,783 | ▶ 019409 |
| 034980028 | 28,0 | 115 | 27 | 65 | 14 | 14 | 85 | 47 | 1,091 | ● 019410 |
| 034980035 | 35,0 | 140 | 32 | 70 | 15 | 18 | 100 | 52 | 1,717 | ● 019411 |
| 034980042 | 42,0 | 150 | 39 | 77 | 16 | 18 | 110 | 59 | 2,088 | ● 019412 |
| 034980054 | 54,0 | 165 | 51 | 86 | 18 | 18 | 125 | 75 | 2,834 | ● 019413 |
| 034980076 | 76,1 | 185 | 72 | 126 | 18 | 18 | 145 | 71 | 3,546 | ● 031227 |
| 034980089 | 88,9 | 200 | 85 | 147 | 20 | 18 | 160 | 84 | 4,344 | ● 031228 |
| 034980108 | 108,0 | 220 | 104 | 167 | 20 | 18 | 180 | 90 | 5,251 | ● 031229 |



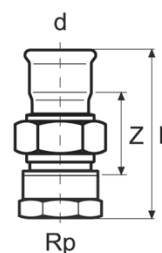
Ventil tilslutning N342
Ventil tilslutning med omløber møtrik
Valve connector with swivel nut

| VA/DVGW-godkendt / VA/DVGW-approved | | | | | | |
|-------------------------------------|-----------|-----------------------|---------|---------|---------------|-------------------------------------|
| VVS nr. | G-d | materiale material | L mm | Z mm | Kg/ stk/pc | AISI 316L Varenr. Article no. |
| 034984015 | G¾-15 | Messing/Brass | 51 | 21 | 0,087 | ● 019421 |
| 034984232 | G¾-18 | Messing/Brass | 52 | 22 | 0,085 | ● 019422 |
| 034984291 | G1-22 | Messing/Brass | 53 | 19 | 0,104 | ● 019423 |
| 034984180 | G1¼-15 | Messing/Brass | 53 | 21 | 0,175 | ▶ 019424 |
| 034984354 | G1¼-28 | Messing/Brass | 54 | 20 | 0,159 | ● 019425 |
| 034984390 | G1½-35 | Messing/Brass | 64 | 26 | 0,267 | ● 019426 |
| 034984426 | G1¼-42 | Messing/Brass | 69 | 24 | 0,325 | ● 019427 |
| 034984458 | G2 3/8-54 | Messing/Brass | 78 | 27 | 0,476 | ● 019428 |
| 034986176 | G¾-15 | Rustfrit/Stainless | 51 | 21 | 0,081 | ▶ 019429 |
| 034986291 | G1-22 | Rustfrit/Stainless | 53 | 19 | 0,097 | ● 019430 |
| (ISO 228) | | | | | | |



Union N344
Union-MF/indvendig gevind
Female straight union with a swivel nut

| VA/DVGW-godkendt / VA/DVGW-approved | | | | | |
|-------------------------------------|------------|---------|---------|---------------|-------------------------------------|
| VVS nr. | d-Rp mm | L mm | Z mm | Kg/ stk/pc | AISI 316L Varenr. Article no. |
| 034991015 | 15-Rp½ | 73 | 40 | 0,139 | ● 031950 |
| 034991176 | 15-Rp¾ | 75 | 41 | 0,176 | ▶ 031951 |
| 034991222 | 18-Rp½ | 72 | 39 | 0,139 | ▶ 031952 |
| 034991232 | 18-Rp¾ | 74 | 40 | 0,174 | ● 031953 |
| 034991022 | 22-Rp¾ | 76 | 40 | 0,205 | ▶ 031954 |
| 034991291 | 22-Rp1 | 79 | 40 | 0,235 | ▶ 031955 |
| 034991028 | 28-Rp1 | 83 | 43 | 0,387 | ▶ 031956 |
| 034991035 | 35-Rp1¼ | 93 | 49 | 0,448 | ▶ 031957 |
| 034991042 | 42-Rp1½ | 96 | 47 | 0,542 | ▶ 031958 |
| 034991054 | 54-Rp2 | 113 | 54 | 0,943 | ● 031959 |



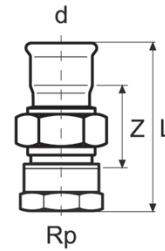
Union N344

Union-MF/indvendig gevind

Female straight union with a swivel nut

VA/DVGW-godkendt / VA/DVGW-approved

| VVS nr. | d-Rp mm | L mm | Z mm | Kg/ stk/pc | AISI 316L | Varenr. Article no. |
|-----------|------------|---------|---------|---------------|-----------|------------------------|
| 034991015 | 15-Rp½ | 73 | 40 | 0,139 | ▶ 031950 | ▶ 031950 |
| 034991176 | 15-Rp¾ | 75 | 41 | 0,176 | ▶ 031951 | ▶ 031951 |
| 034991222 | 18-Rp½ | 72 | 39 | 0,139 | ▶ 031952 | ▶ 031952 |
| 034991232 | 18-Rp¾ | 74 | 40 | 0,174 | ▶ 031953 | ▶ 031953 |
| 034991022 | 22-Rp¾ | 76 | 40 | 0,205 | ▶ 031954 | ▶ 031954 |
| 034991291 | 22-Rp1 | 79 | 40 | 0,235 | ▶ 031955 | ▶ 031955 |
| 034991028 | 28-Rp1 | 83 | 43 | 0,387 | ▶ 031956 | ▶ 031956 |
| 034991035 | 35-Rp1¼ | 93 | 49 | 0,448 | ▶ 031957 | ▶ 031957 |
| 034991042 | 42-Rp1½ | 96 | 47 | 0,542 | ▶ 031958 | ▶ 031958 |
| 034991054 | 54-Rp2 | 113 | 54 | 0,943 | ● 031959 | ● 031959 |



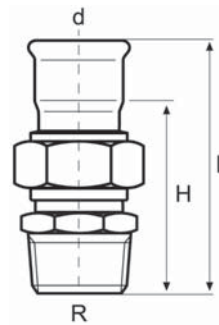
Union N346

Union - MF/udvendig gevind

Male straight union with a swivel nut

VA/DVGW-godkendt / VA/DVGW-approved

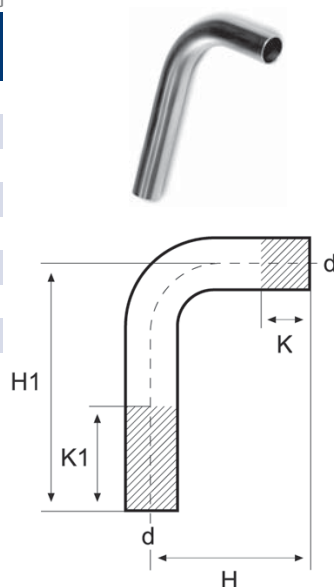
| VVS nr. | d-R mm | L mm | H mm | Kg/ stk/pc | AISI 316L | Varenr. Article no. |
|-----------|-----------|---------|---------|---------------|-----------|------------------------|
| 034990015 | 15-R½ | 76 | 55 | 0,141 | ● 031939 | ● 031939 |
| 034990176 | 15-R¾ | 80 | 59 | 0,160 | ▶ 031940 | ▶ 031940 |
| 034990222 | 18-R½ | 76 | 55 | 0,142 | ● 031941 | ● 031941 |
| 034990232 | 18-R¾ | 79 | 58 | 0,161 | ● 031942 | ● 031942 |
| 034990263 | 22-R½ | 80 | 57 | 0,232 | ● 031943 | ● 031943 |
| 034990022 | 22-R¾ | 82 | 59 | 0,215 | ● 031944 | ● 031944 |
| 034990291 | 22-R1 | 86 | 63 | 0,249 | ● 031945 | ● 031945 |
| 034990028 | 28-R1 | 88 | 64 | 0,394 | ● 031946 | ● 031946 |
| 034990035 | 35-R1¼ | 100 | 73 | 0,525 | ● 031947 | ● 031947 |
| 034990042 | 42-R1½ | 106 | 74 | 0,608 | ● 031948 | ● 031948 |
| 034990054 | 54-R2 | 122 | 85 | 0,978 | ● 031949 | ● 031949 |



Bøjning N350
Bøjning 90° - NP/NP
Elbow 90°, plain ends - NP/NP

VA/DVGW-godkendt / VA/DVGW-approved

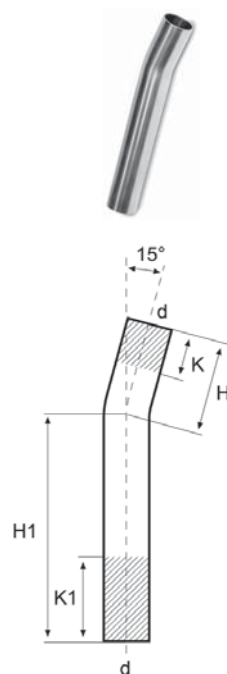
| VVS nr. | d mm | H ₁ mm | H mm | K ₁ mm | K mm | Kg/ stk/pc | AISI 316L Varenr. Article no. |
|-----------|---------|----------------------|---------|----------------------|---------|---------------|-------------------------------------|
| 034960015 | 15,0 | 120 | 70 | 22 | 72 | 0,059 | ● 019372 |
| 034960018 | 18,0 | 120 | 70 | 17 | 67 | 0,075 | ● 019373 |
| 034960022 | 22,0 | 120 | 70 | 9 | 59 | 0,102 | ● 019374 |
| 034960028 | 28,0 | 125 | 97 | 7 | 47 | 0,153 | ● 019375 |
| 034960035 | 35,0 | 200 | 120 | 30 | 110 | 0,183 | ● 019376 |
| 034960042 | 42,0 | 250 | 160 | 44 | 144 | 0,565 | ● 019377 |
| 034960054 | 54,0 | 305 | 200 | 65 | 165 | 0,868 | ● 019378 |



Bøjning N352
Bøjning 15° - NP/NP
Elbow 15°, plain ends - NP/NP

VA/DVGW-godkendt / VA/DVGW-approved

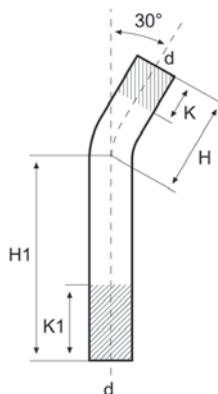
| VVS nr. | d mm | H ₁ mm | H mm | K ₁ mm | K mm | Kg/ stk/pc | AISI 316L Varenr. Article no. |
|-----------|---------|----------------------|---------|----------------------|---------|---------------|-------------------------------------|
| 034964028 | 28,0 | 136 | 45 | 7 | 47 | 0,146 | ● 019379 |
| 034964035 | 35,0 | 234 | 62 | 30 | 110 | 0,381 | ● 019380 |
| 034964042 | 42,0 | 276 | 94 | 44 | 144 | 0,558 | ● 019381 |
| 034964054 | 54,0 | 337 | 117 | 65 | 165 | 0,869 | ● 019382 |



Bøjning N354
 Bøjning 30° - NP/NP
 Elbow 30° - NP/NP

VA/DVGW-godkendt / VA/DVGW-approved

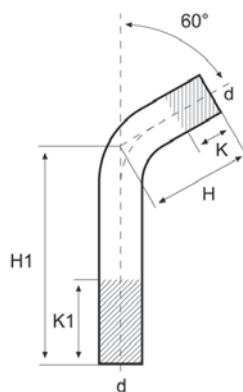
| VVS nr. | d mm | H ₁ mm | H mm | K ₁ mm | K mm | Kg/ stk/pc | AISI 316L | Varenr. Articleno. |
|-----------|---------|----------------------|---------|----------------------|---------|---------------|-----------|-----------------------|
| 034963028 | 28,0 | 130 | 54 | 7 | 47 | 0,144 | ● 019383 | |
| 034963035 | 35,0 | 218 | 80 | 30 | 110 | 0,382 | ● 019384 | |
| 034963042 | 42,0 | 274 | 98 | 44 | 144 | 0,560 | ● 019385 | |
| 034963054 | 54,0 | 324 | 137 | 65 | 165 | 0,905 | ● 019386 | |



Bøjning N358
 Bøjning 60° - NP/NP
 Elbow 60°, plain ends - NP/NP

VA/DVGW-godkendt / VA/DVGW-approved

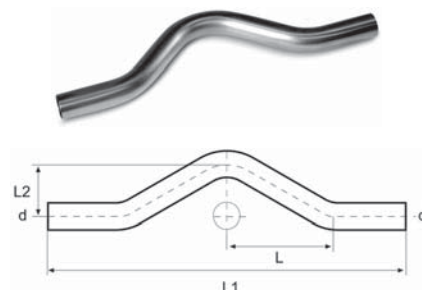
| VVS nr. | d mm | H ₁ mm | H mm | K ₁ mm | K mm | Kg/ stk/pc | AISI 316L | Varenr. Articleno. |
|-----------|---------|----------------------|---------|----------------------|---------|---------------|-----------|-----------------------|
| 034961028 | 28,0 | 116 | 71 | 7 | 47 | 0,140 | ● 019387 | |
| 034961035 | 35,0 | 226 | 101 | 30 | 110 | 0,383 | ● 019388 | |
| 034961042 | 42,0 | 251 | 124 | 44 | 145 | 0,564 | ● 019389 | |
| 034961054 | 54,0 | 308 | 162 | 65 | 165 | 0,889 | ● 019390 | |



Rørbro N362
Rørbro - NP/NP
Pipebridge - NP/NP

VA/DVGW-godkendt / VA/DVGW-approved

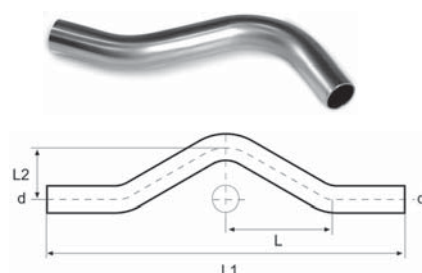
| VVS nr. | d mm | L ₁ mm | L ₂ mm | L mm | Kg/ stk/pc | AISI 316L |
|-----------|---------|----------------------|----------------------|---------|---------------|------------------------|
| | | | | | | Varenr. Article no. |
| 034977015 | 15 | 202 | 38 | 65 | 0,074 | ● 019399 |
| 034977018 | 18 | 236 | 43 | 68 | 0,116 | ● 019400 |
| 034977022 | 22 | 233 | 40 | 68 | 0,158 | ● 019401 |
| 034977028 | 28 | 303 | 64 | 93 | 0,258 | ● 019402 |



Overbøjning N364
Overbøjning - NP/NP
Performed pipebridge - NP/NP

VA/DVGW-godkendt / VA/DVGW-approved

| VVS nr. | d mm | L ₁ mm | L ₂ mm | L mm | Kg/ stk/pc | AISI 316L |
|-----------|---------|----------------------|----------------------|---------|---------------|------------------------|
| | | | | | | Varenr. Article no. |
| 034976015 | 15 | 145 | 37 | 57 | 0,054 | ● 019403 |
| 034976018 | 18 | 165 | 38 | 56 | 0,072 | ● 019404 |
| 034976022 | 20 | 181 | 40 | 60 | 0,122 | ● 019405 |
| 034976028 | 28 | 241 | 55 | 83 | 0,215 | ▶ 019406 |



O-ring N366
O-ring i EPDM - Temp. -20° til +120°
O-ring in EPDM - Temp. -20 ° til +120°

VA/DVGW-godkendt / VA/DVGW-approved

| VVS nr. | Rør dim/Pipe dim mm | E mm | C mm | Gr/ stk/pc | AISI 316L |
|-----------|------------------------|---------|---------|---------------|------------------------|
| | | | | | Varenr. Article no. |
| 034989015 | 15,0 | 15,0 | 2,6 | 0,3 | ● 019432 |
| 034989018 | 18,0 | 18,0 | 2,6 | 0,4 | ● 019433 |
| 034989022 | 22,0 | 22,0 | 3,2 | 0,7 | ● 019434 |
| 034989028 | 28,0 | 28,0 | 3,1 | 0,8 | ● 019435 |
| 034989035 | 35,0 | 35,0 | 3,1 | 1,0 | ● 019436 |
| 034989042 | 42,0 | 42,0 | 4,1 | 2,2 | ● 019437 |
| 034989054 | 54,0 | 54,0 | 4,1 | 2,8 | ● 019438 |
| 034989076 | 76,1 | 76,8 | 8,0 | 11,5 | ● 031233 |
| 034989089 | 88,9 | 89,3 | 8,2 | 17,5 | ● 031234 |
| 034989108 | 108,0 | 108,6 | 11,0 | 33,8 | ▶ 031235 |



O-ring N368

O-ring i NITRIL/NBR - Temp. -20° til +100°

O-ring in NITRIL/NBR - Temp. -20° til +100°

VA/DVGW-godkendt / VA/DVGW-approved

| VVS nr. | Rør dim/Pipe dim mm | E mm | C mm | Gr/ stk/pc | AISI 316L |
|-----------|------------------------|---------|---------|---------------|------------------------|
| | | | | | Varenr. Article no. |
| 034989215 | 15,0 | 15,0 | 2,6 | 0,3 | ● 031275 |
| 034989218 | 18,0 | 18,0 | 2,6 | 0,4 | ● 031276 |
| 034989222 | 22,0 | 22,0 | 3,2 | 0,7 | ● 031277 |
| 034989228 | 28,0 | 28,0 | 3,1 | 0,8 | ● 031278 |
| 034989235 | 35,0 | 35,0 | 3,1 | 1,0 | ● 031279 |
| 034989242 | 42,0 | 42,0 | 4,1 | 2,2 | ● 031280 |
| 034989254 | 54,0 | 54,0 | 4,1 | 2,8 | ● 031281 |
| 034989276 | 76,1 | 76,8 | 8,0 | 11,5 | ● 031282 |
| 034989289 | 88,9 | 89,3 | 8,2 | 17,5 | ● 031283 |
| 034989308 | 108,0 | 108,6 | 11,0 | 33,8 | ● 031284 |



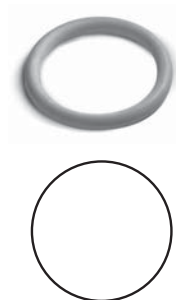
O-ring N370

O-ring i VITON/FKM - Temp. -20° til +150°

O-ring in VITON/FKM - Temp. -20° til +150°

VA/DVGW-godkendt / VA/DVGW-approved

| VVS nr. | Rør dim/Pipe dim mm | E mm | C mm | Gr/ stk/pc | AISI 316L |
|-----------|------------------------|---------|---------|---------------|------------------------|
| | | | | | Varenr. Article no. |
| 034989115 | 15,0 | 15,0 | 2,6 | 0,3 | ● 031285 |
| 034989118 | 18,0 | 18,0 | 2,6 | 0,4 | ● 031286 |
| 034989122 | 22,0 | 22,0 | 3,2 | 0,7 | ● 031287 |
| 034989128 | 28,0 | 28,0 | 3,1 | 0,8 | ● 031288 |
| 034989135 | 35,0 | 35,0 | 3,1 | 1,0 | ● 031289 |
| 034989142 | 42,0 | 42,0 | 4,1 | 2,2 | ● 031290 |
| 034989154 | 54,0 | 54,0 | 4,1 | 2,8 | ● 031291 |
| 034989176 | 76,1 | 76,8 | 8,0 | 11,5 | ● 031292 |
| 034989189 | 88,9 | 89,3 | 8,2 | 17,5 | ▶ 031293 |
| 034989208 | 108,0 | 108,6 | 11,0 | 33,8 | ● 031294 |



Pakning N372
Flade pakning i EPDM
Flat seal in EPDM

VA/DVGW-godkendt / VA/DVGW-approved

| VVS nr. | Rør dim/Pipe dim mm | A mm | B mm | C mm | Gr/ stk/pc | AISI 316L | Varenr. Article no. |
|-----------|------------------------|---------|---------|---------|---------------|-----------|------------------------|
| 034989615 | 15,0 | 15,0 | 23,0 | 2 | 0,5 | ● | 031960 |
| 034989618 | 18,0 | 15,0 | 23,0 | 2 | 0,5 | ● | 031961 |
| 034989622 | 22,0 | 22,5 | 29,6 | 2 | 0,7 | ● | 031962 |
| 034989628 | 28,0 | 27,0 | 38,6 | 2 | 1,4 | ● | 031963 |
| 034989635 | 35,0 | 35,0 | 44,6 | 2 | 1,3 | ● | 031964 |
| 034989642 | 42,0 | 40,0 | 50,6 | 2 | 1,7 | ● | 031965 |
| 034989654 | 54,0 | 53,5 | 67,0 | 2 | 4,0 | ● | 031966 |



Rustfrie stålør til brugsvandsinstallation EN 10312, rørender med propper
Water tubes, EN 10312, plastic plugged tube ends

VA/DVGW-godkendt / VA/DVGW-approved

| VVS nr. | Rør dim/Pipe dim mm | Længde/Length mm | Kg/ m | AISI 316L | Varenr. Article no. |
|-----------|------------------------|---------------------|----------|-----------|------------------------|
| 030624015 | 15,0 x 1,00 | 6000 | 2,10 | ● | 019700 |
| 030624018 | 18,0 x 1,00 | 6000 | 2,52 | ● | 019701 |
| 030624022 | 22,0 x 1,20 | 6000 | 3,84 | ● | 019702 |
| 030624028 | 28,0 x 1,20 | 6000 | 4,52 | ● | 019703 |
| 030624035 | 35,0 x 1,50 | 6000 | 7,56 | ● | 019704 |
| 030624042 | 42,0 x 1,50 | 6000 | 9,48 | ● | 019705 |
| 030624054 | 54,0 x 1,50 | 6000 | 15,00 | ● | 019706 |
| 030624076 | 76,1 x 2,00 | 6000 | 22,44 | ● | 019707 |
| 030624089 | 88,9 x 2,00 | 6000 | 26,10 | ● | 019708 |
| 030624108 | 108,0 x 2,00 | 6000 | 32,04 | ● | 019709 |